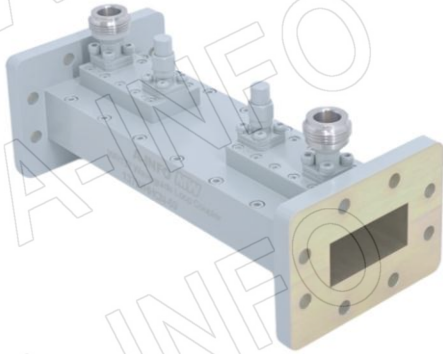


For reference only. See data sheet for the detailed specifications.

Technical Specification

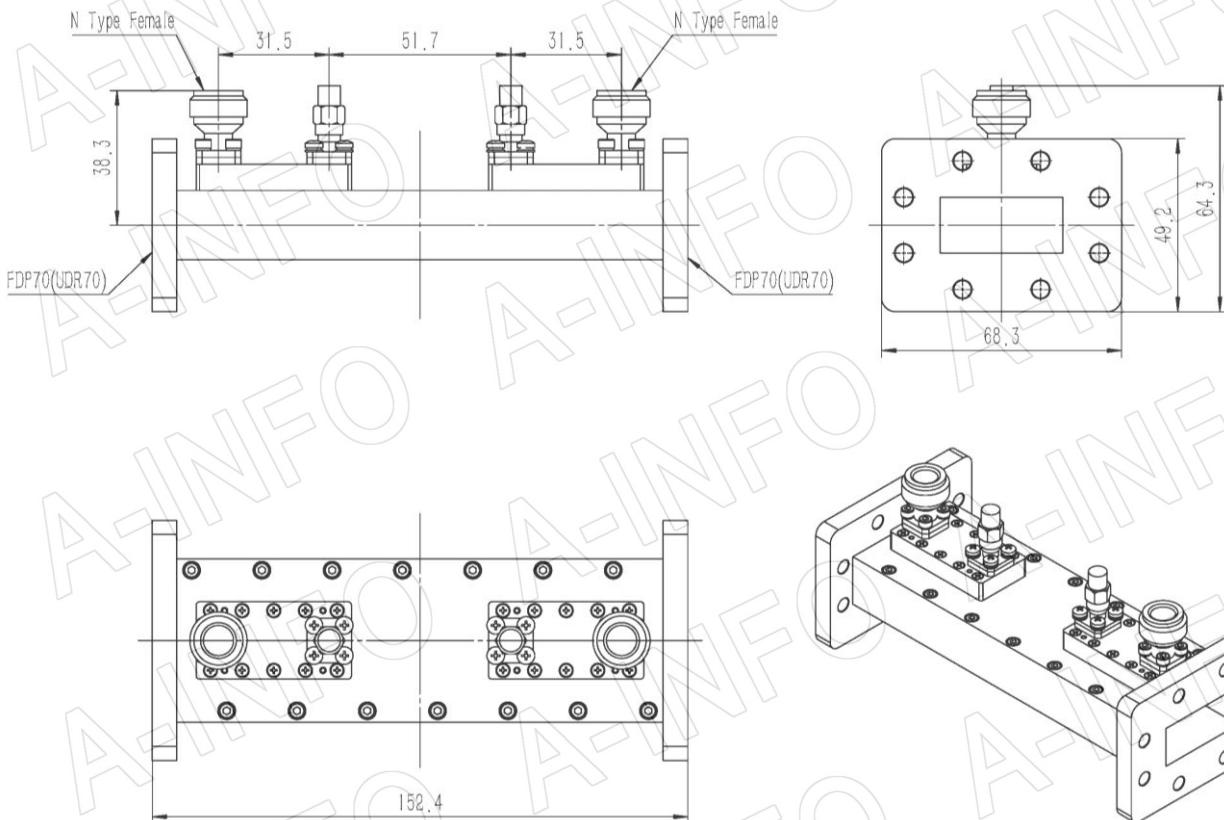


EIA WR	WR137
Frequency Range(GHz)	5.85 – 8.20
Coupling(dB)	60
Directivity(dB)	15 Typ.
Insertion Loss(dB)	0.1 Max. (Not including the theoretical loss 8.69×10^{-6} dB)
Mainline VSWR	1.10:1 Max.
Secondline VSWR	1.35:1 Max.
Flange	FDP70(UDR70)
Coupling Port	N-Female/N-Male
Material	Al
Size(mm)	152.4 x 68.3 x 64.3
Net Weight(Kg)	0.33 Around

Outline Drawing (Size: mm)

Coupling Port: N-Female

For N-Male connector Coupling Port outline drawing, please contact A-INFO.



AINFO Inc.

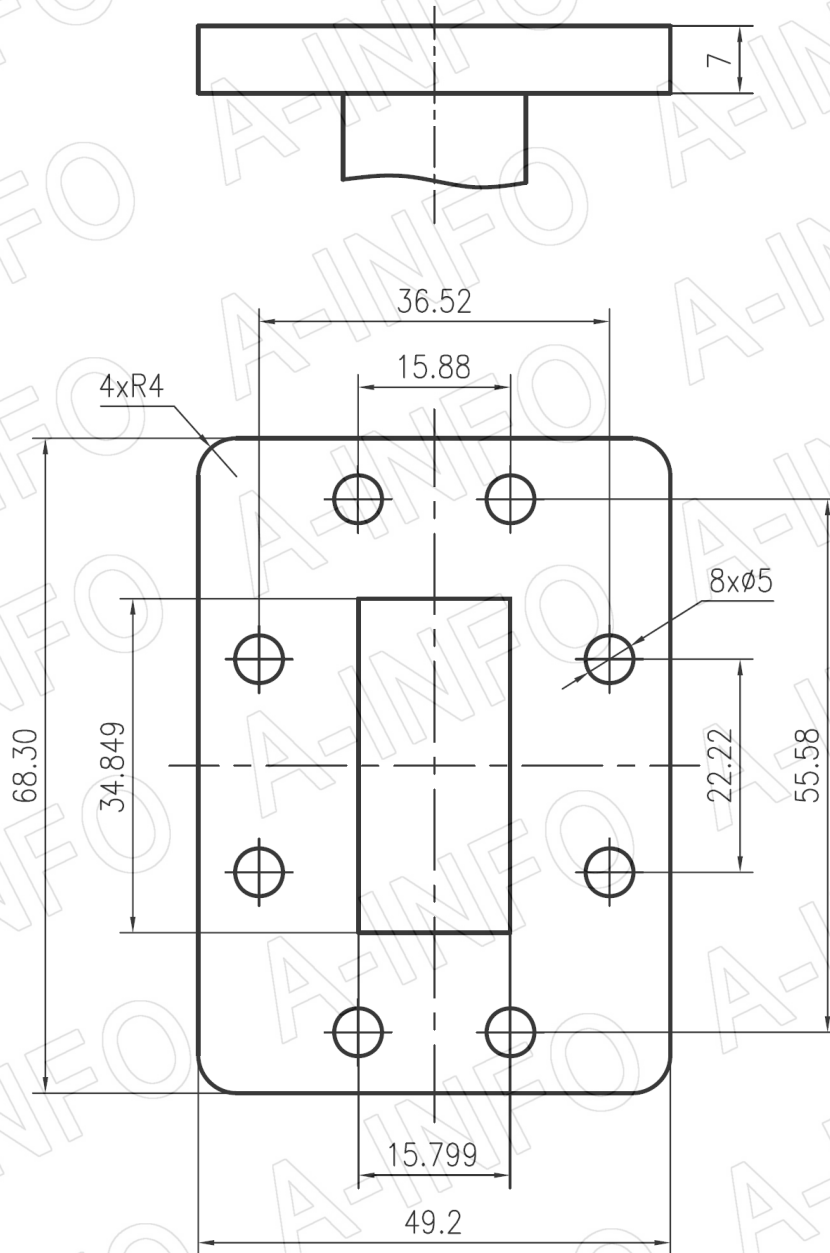
China(Beijing): Tel: (+86) 10-6266-7326,
China(Chengdu): Tel: (+86) 28-8519-2786,
USA : Tel: (+1) 949-639-9688,

Page 1 of 6

(+86) 10-6266-7327 Fax: (+86) 10-6266-7379
(+86) 28-8519-3044 Fax: (+86) 28-8519-3068
(+1) 949-639-9608 Fax: (+1) 949-639-9670

Website: www.ainfoinc.com
Email: sales@ainfoinc.com

Flange Drawing (Size: mm)



FDP70

AINFO Inc.

China(Beijing): Tel: (+86) 10-6266-7326,
China(Chengdu): Tel: (+86) 28-8519-2786,
USA : Tel: (+1) 949-639-9688,

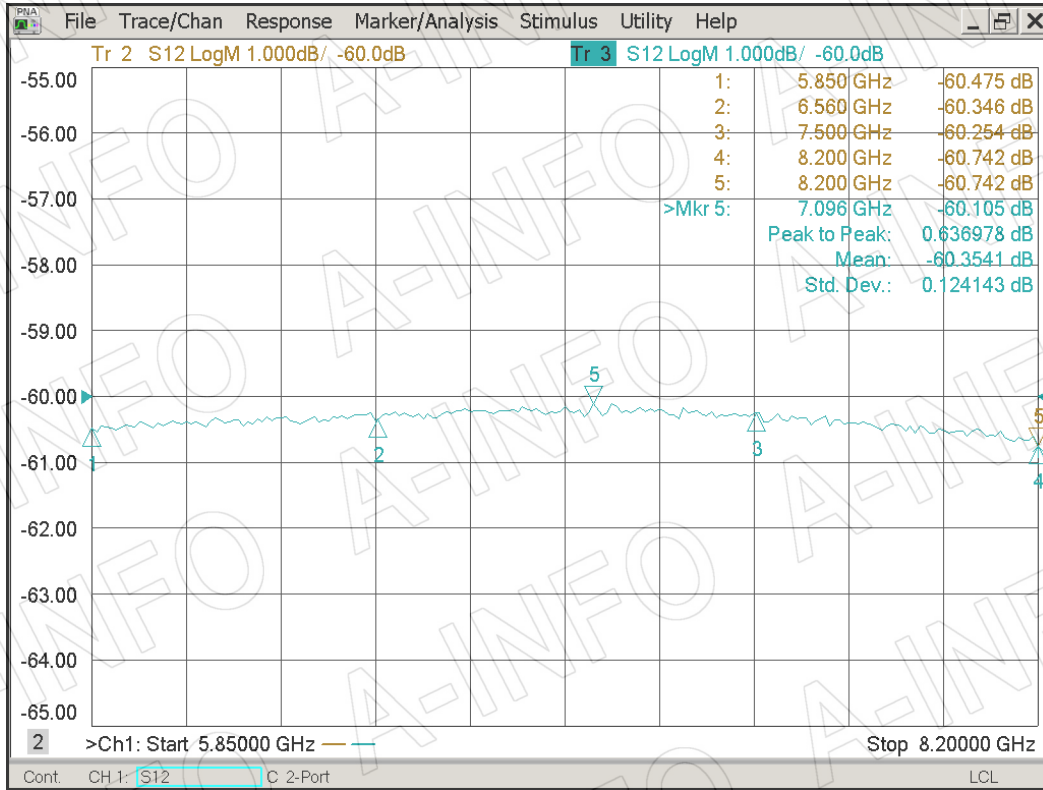
Page 2 of 6

(+86) 10-6266-7327 Fax: (+86) 10-6266-7379
(+86) 28-8519-3044 Fax: (+86) 28-8519-3068
(+1) 949-639-9608 Fax: (+1) 949-639-9670

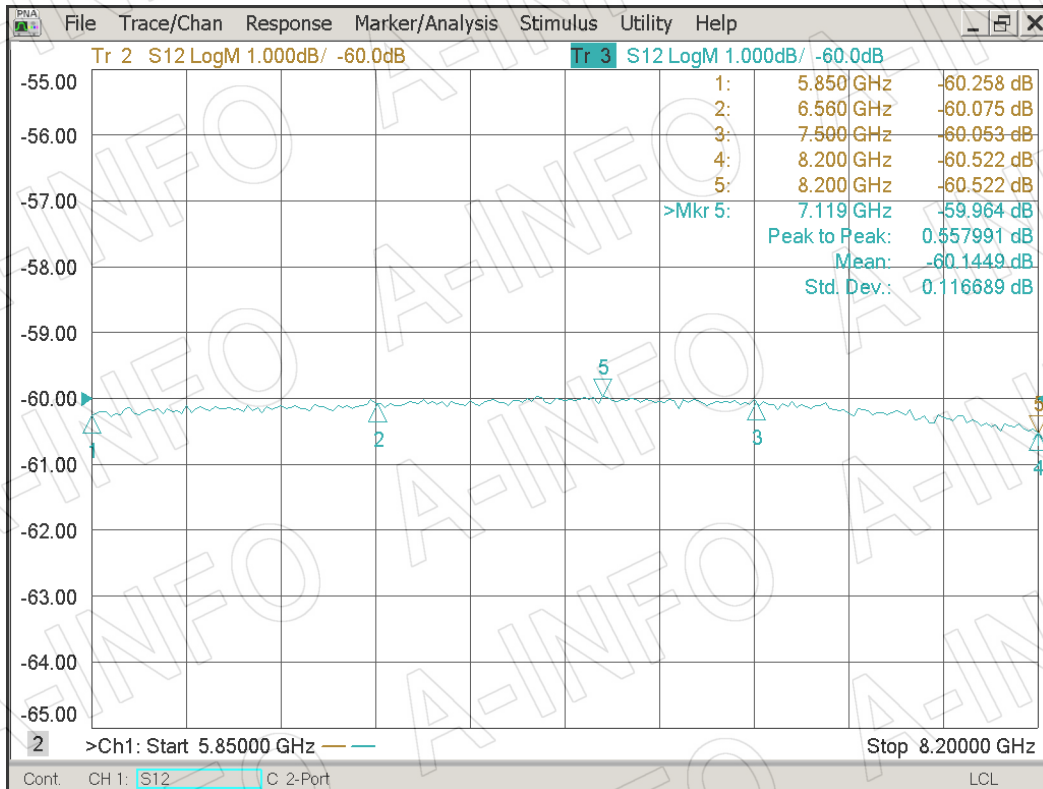
Website: www.ainfoinc.com
Email: sales@ainfoinc.com

Test Results

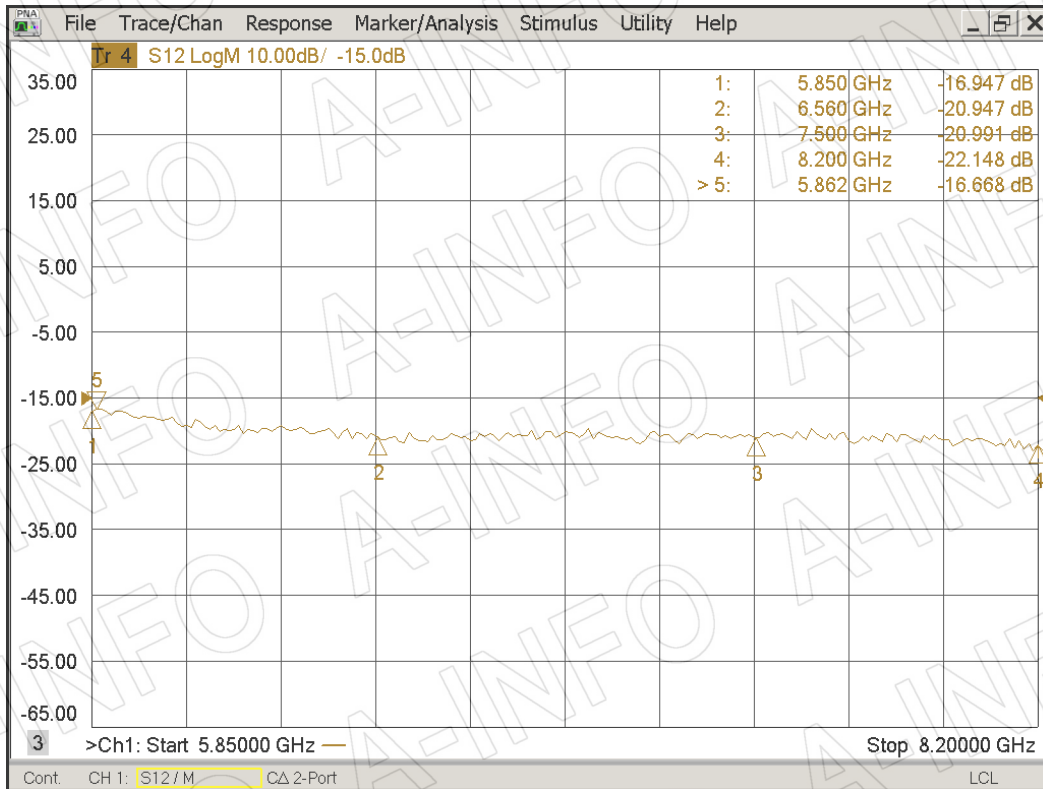
Coupling Port 1



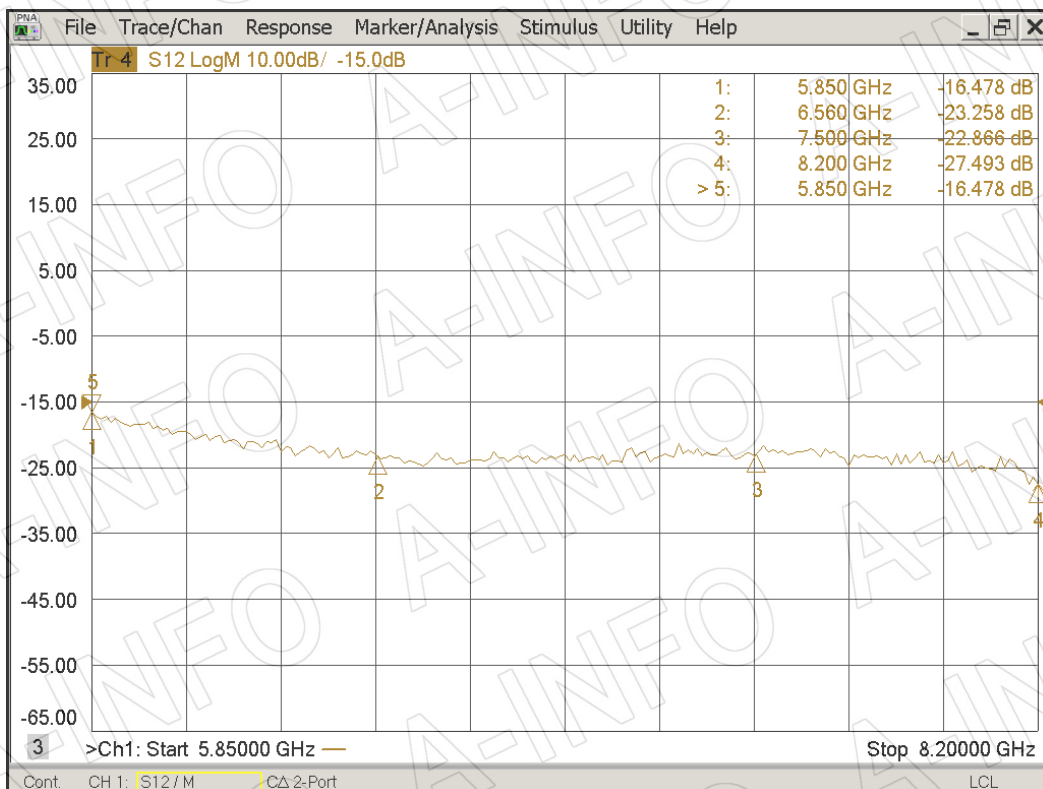
Port 2



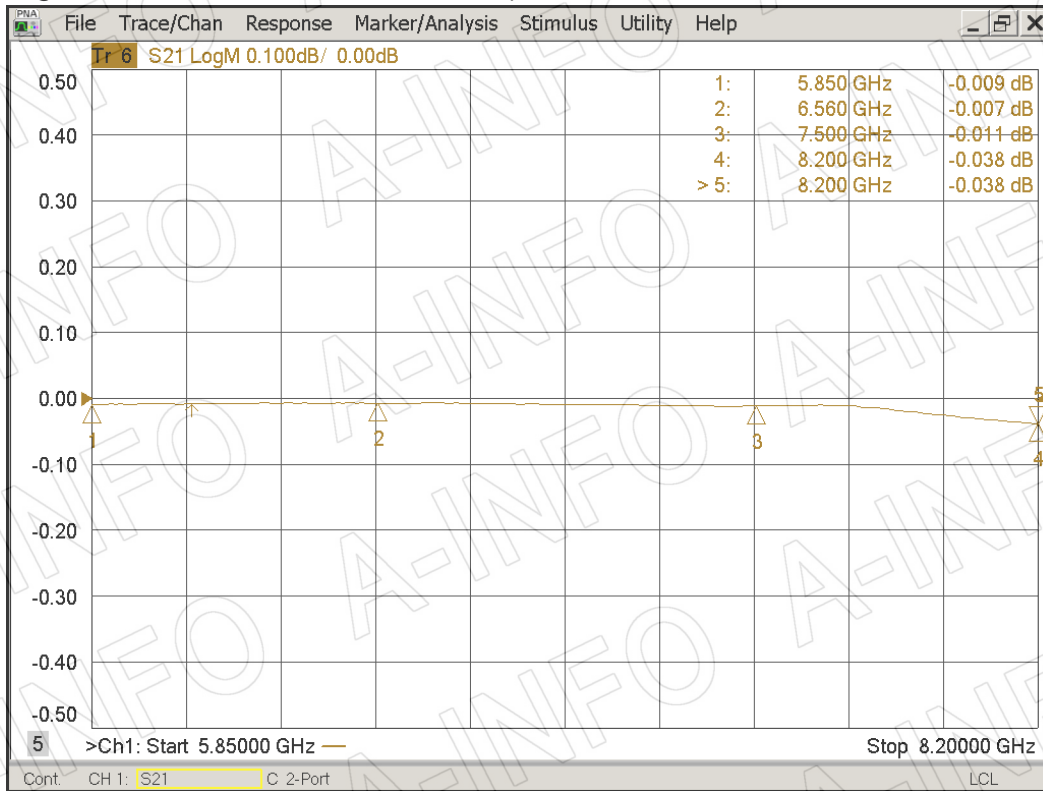
Directivity Port 1



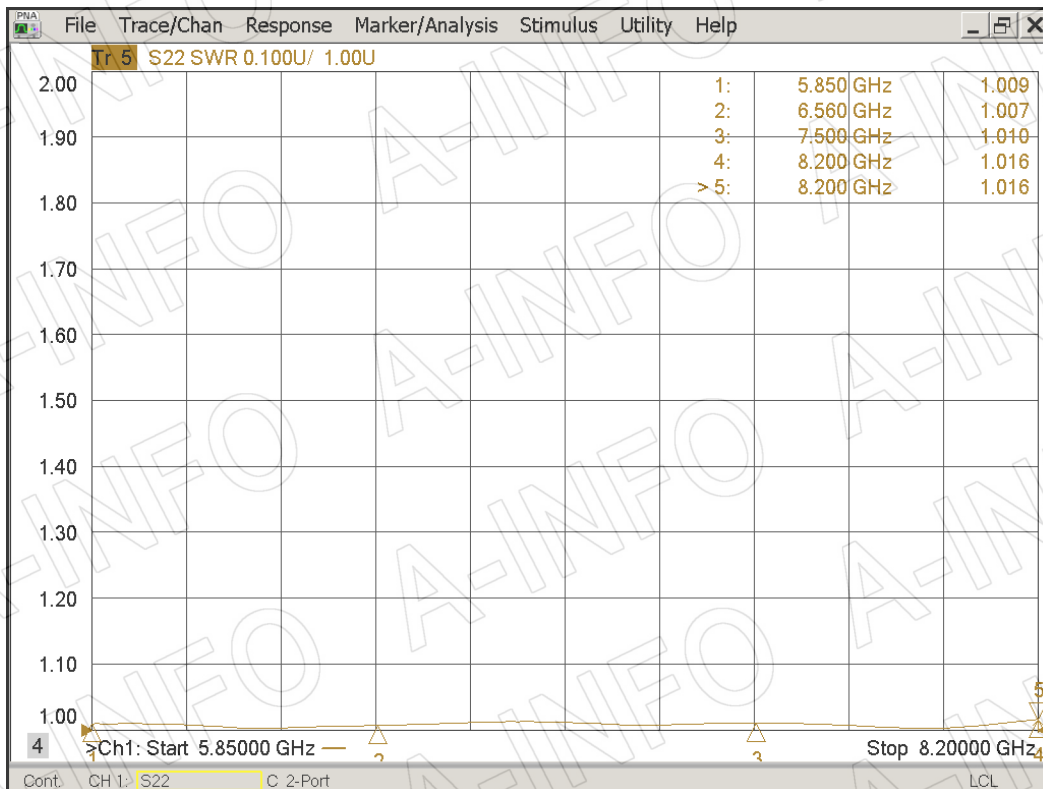
Port 2



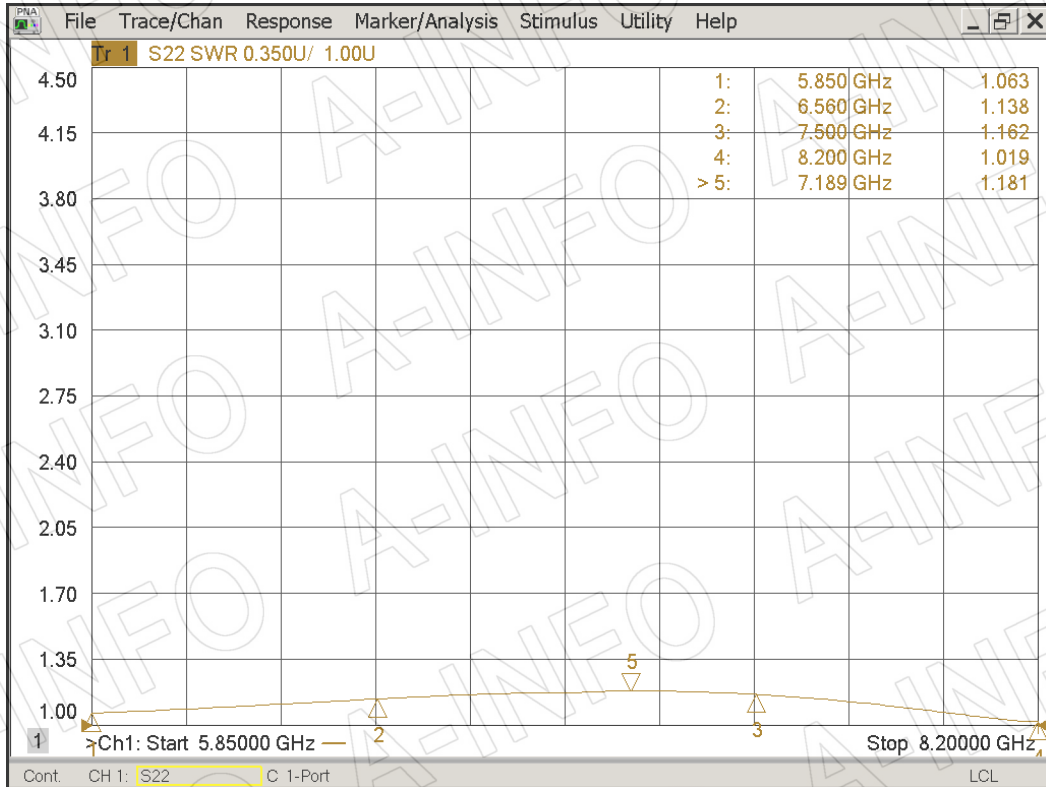
I.L.(Including the theoretical loss 8.69×10^{-6} dB)



Mainline VSWR



Secondline VSWR Port 1



Port 2

